



619/620 SERIES

- Vacuum and compound ranges through 0 psig to 15,000 psig; absolute ranges from 0 psia to 15 psia through 0 psia to 100 psia
- Current and voltage outputs available
- 316 stainless steel and Elgiloy wetted parts
- ATEX-approved II 2G Ex d II C
- CE compliant to suppress RFI, EMI and ESD

APPLICATIONS

- Chemical processing
- Gas pressure measurement
- Oil field & offshore
- Mining
- Well head measurement

NOSHOK 619 and 620 Series transmitters are approved for use in hazardous location applications as follows:
 Explosion-proof protection type ATEX; EX d II c T4-T6.
 CE compliant with pressure equipment directive 97/23EC.

SPECIFICATIONS

Output signals	4 mA to 20 mA, 2-wire; 1 Vdc to 5 Vdc, 3-wire; 0 Vdc to 10 Vdc, 3-wire; 0.5 Vdc to 4.5 Vdc low power, 3-wire
Pressure ranges	Vacuum through 0 psig to 15,000 psig Absolute from 0 to 15 psia through 0 psia to 100 psia
Accuracy	±0.25% full scale (BFSL) (Includes the effects of non-linearity, hysteresis, non-repeatability, zero point and full scale errors)
Stability	≤±0.2% full scale for 1 year, non-accumulating
Response time	≤1 ms (between 10% and 90% full scale)
Pressure cycle limit	150 Hz
Durability	>100,000,000 full scale cycles
Temperature ranges	Compensated 32 °F to 176 °F (0 °C to 80 °C) Zero effect is ≤±0.011% full scale / °F Span effect is ≤±0.011% full scale / °F Media -40 °F to 221 °F (-40 °C to 105 °C) Ambient -40 °F to 221 °F (-40 °C to 105 °C) Storage -40 °F to 221 °F (-40 °C to 105 °C)
Power requirement*	10 Vdc to 30 Vdc (4 mA to 20 mA, 2-wire) 6 Vdc to 30 Vdc (1 Vdc to 5 Vdc, 3-wire, 0.5 Vdc to 4.5 Vdc, 3-wire) 14 Vdc to 30 Vdc (0 Vdc to 10 Vdc, 3-wire)
Load limitations	≤(VPower-10)/0.020 Amp for 4 mA to 20 mA >10,000 Ω for 1 Vdc to 5 Vdc, 3-wire and 0 Vdc to 10 Vdc > 5,000 Ω for 0.5 Vdc to 4.5 Vdc
Proof pressure	3.5 times full scale for ranges 0 psi to 15 psi through 0 psi to 200 psi 2 times full scale for ranges 0 psi to 300 psi through 0 psi to 10,000 psi 1.5 times full scale for 0 psi to 15,000 psi
Burst pressure	5 times full scale for ranges 0 psi to 15 psi through 0 psi to 200 psi 3.5 times full scale for ranges 0 psi to 300 psi through 0 psi to 10,000 psi 3 times full scale for 0 psi to 15,000 psi
Measuring element	619 Series is 316 stainless steel for ranges up through 0 psi to 300 psi, 316 stainless steel with Elgiloy for ranges 0 psi to 500 psi and higher; 620 Series is 316 stainless steel with NBR o-ring; optional FPM or EPDM o-ring
Connection	316 stainless steel
Housing material	316 stainless steel
Environmental rating	IP67
Electromagnetic rating	CE compliant to EMC norm EN 61326:1997/A1:1998 RFI, EMI and ESD protection
Electrical protection	Reverse polarity, over voltage and short circuit protection
Shock	1000 g's according to IEC 60068-2-27
Vibration	20 g's according to IEC 60068-2-6
Weight	Approximately 8 oz.

* Unregulated

ORDERING INFORMATION						
SERIES	619	Stainless steel threaded connection		620	316 Stainless steel flush diaphragm	
PRESSURE RANGES	30vac	-30 inHg to 0 psig		60	0 psig to 60 psig	
	30/30	-30 inHg to 30 psig		100	0 psig to 100 psig	
	30/60	-30 inHg to 60 psig		200	0 psig to 200 psig	
	30/100	-30 inHg to 100 psig		300	0 psig to 300 psig	
	15	0 psig to 15 psig		500	0 psig to 500 psig	
	30	0 psig to 30 psig		1000	0 psig to 1,000 psig	
	psig = gauge pressure psia = absolute pressure Other ranges available on request		Note: 620 Series is available for pressure ranges up to 0 psig to 8,000 psig			
ACCURACY	1 ±0.25% full scale (BFSL)					
OUTPUT SIGNALS	1 4 mA to 20 mA, 2-wire		3 1 Vdc to 5 Vdc, 3-wire, low power		31 0.5 Vdc to 4.5 Vdc 3-wire, low power	
PROCESS CONNECTIONS	2 1/4" NPT male		11 G 1/2 B*			
	8 1/2" NPT male		13 G 1 B (620 Series only, <30 psig)			
ELECTRICAL CONNECTION	6 1/2" NPT male conduit with 6' integral cable					
OPTIONS	ST8 Threaded Orifice (619 Series only)			15 15' Cable/lead (attached to option 6)		

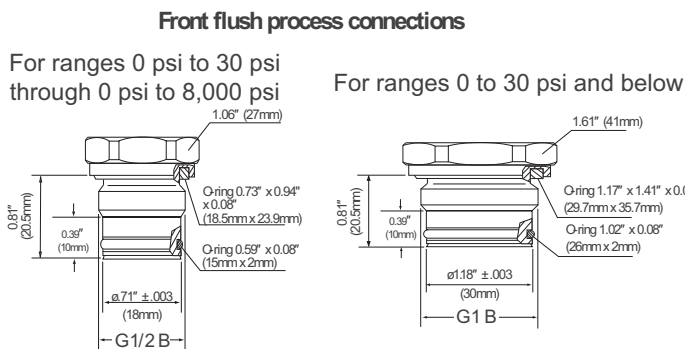
Please consult your local NOSHOK Distributor or NOSHOK, Inc. for availability and delivery information.

* 620 Series only, G 1/2 B Flush (≥ 30 psig).

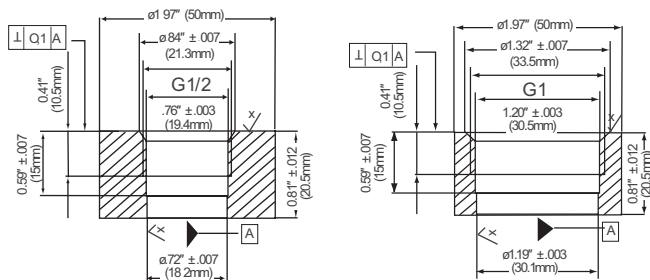
EXAMPLE

Series 619 Series
 Pressure range 0 psig to 500 psig
 Accuracy $\pm 0.25\%$ full scale (BFSL)
 Output signal 4 mA to 20 mA, 2-wire
 Process connection 1/2" NPT Male
 Electrical connection 1/2" NPT Male conduit with 6' integral cable
 Option Threaded Orifice

619 - 500 - 1 - 1 - 8 - 6 - ST8



Flush corresponding port weld-on adapters



2-WIRE WIRING		3-WIRE WIRING	
+ Supply	Red	+ Supply	Red
+ Output	Black	Common	Black
		+ Output	Brown